

## IP65 High altitude installation On/off version

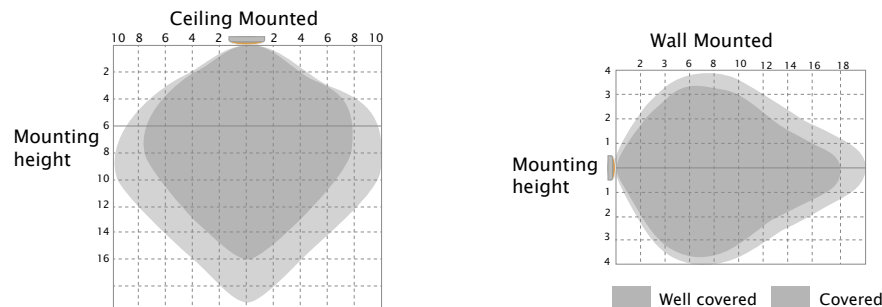


1. 5.8GHz microwave motion sensor.
2. Supporting different installation and applications, for surface mounting, traditional LED high bay with aluminium reflector, UFO highbay or linear/triproof high bay.
3. Max. installation height is 15m/49.21ft.
4. Remote control.
5. 5 years warranty.



### Detection coverage

This figure indicates the maximum distance at the highest mounting height with 100% sensitivity.  
Typical installation height 8-15m

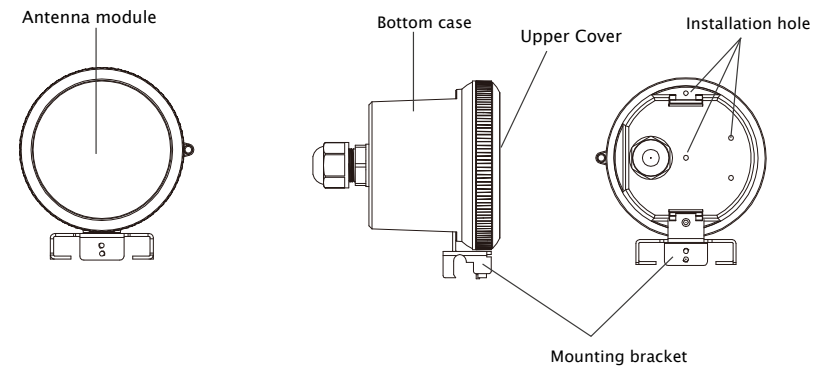


### Technical data

Operating voltage	120-240VAC,50Hz/60Hz
Switching capacity	Incandescent: Max, 800W(120-220Vac); Max, 1000W(220-240Vac) Controlgear: Max,400W(120-220Vac); Max,800W(220-240Vac)
Operating temperature	-35°C~+55°C
Stand-by power	≤1W
Control method	On/off Remote control (HD02R/HD03R/HD05R)
Detection area	25%/50%/75%/100%
Hold time	5s/30s/1min/3min/5min/10min/20min/30min
Daylight threshold	2Lux/10Lux/30Lux/50Lux/80Lux/120Lux/Disable
Microwave frequency	5.8GHz±75MHz
Microwave power	<0.3mW
Mounting height	Max.15m ( 49.21ft )
Detection range	Max.ø14m ( 45.93ft )
Motion detection	0.5~1.5m/s
IP rating	IP65
Warranty	5years

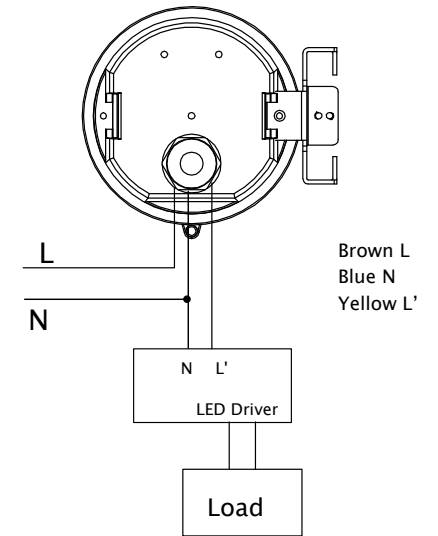
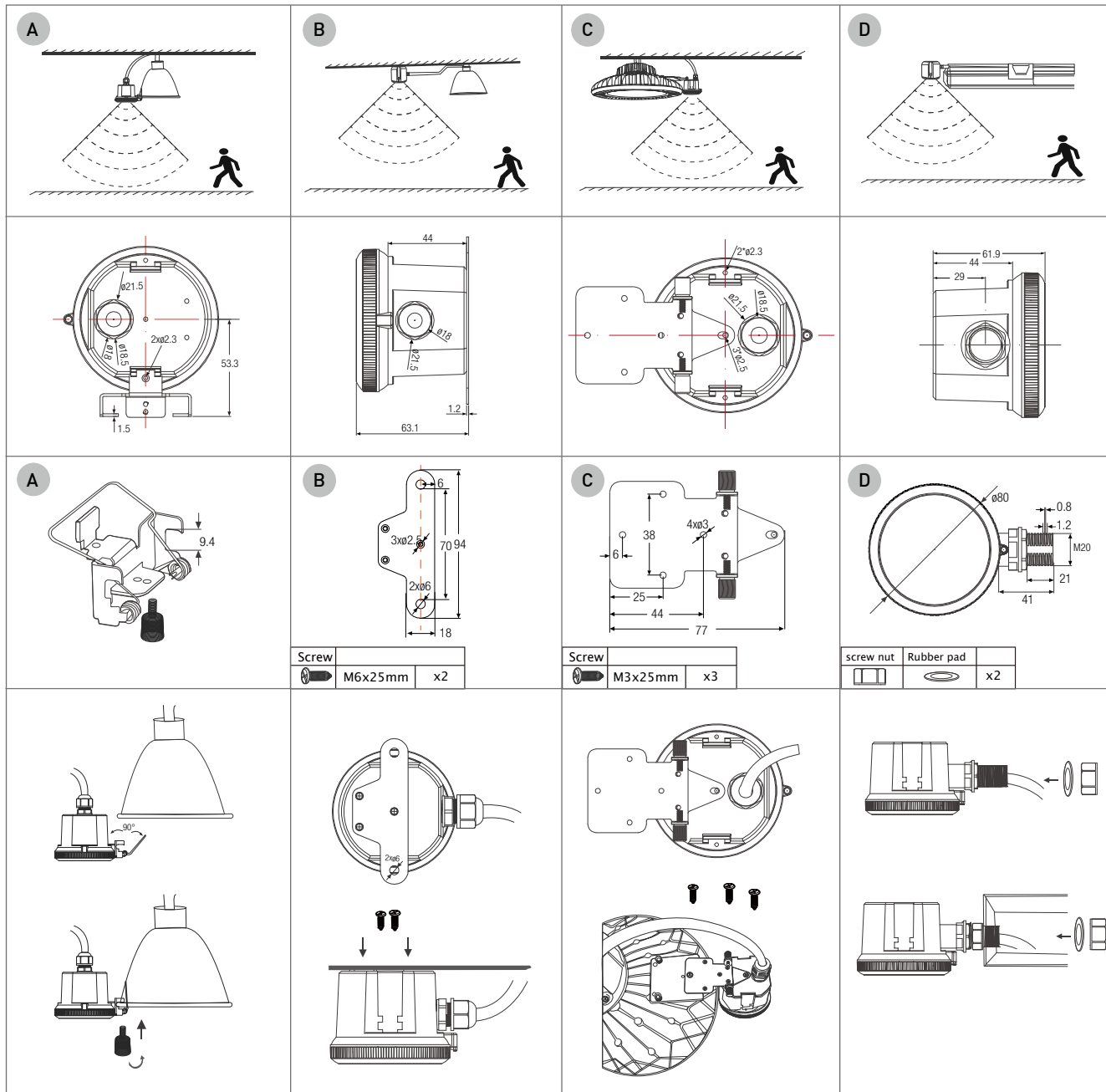
Factory Default Setting: Detection area 100%/ Hold time 5s/ Daylight threshold Disable/Stand-by period 0s/Stand-by dimming level 10%.

### Mechanical structure



## Installation Method (Unit: mm)

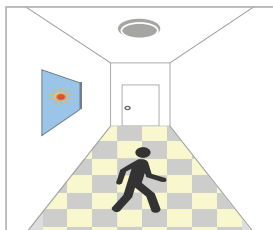
## Wiring diagram



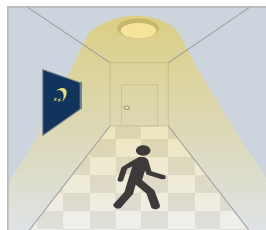
## Application

### 1. Automatically ON/OFF function

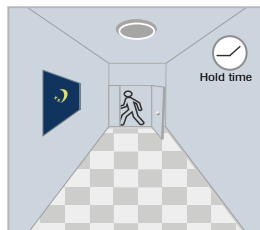
Light on when detect movement and off after people leave at night. Applications: Corridor, Staircase.



With sufficient daylight, even when motion detected, light remains OFF.



With insufficient daylight, when motion detected, light ON.



After the last detection and the present hold time elapsed, light OFF.

### 2. No daylight function

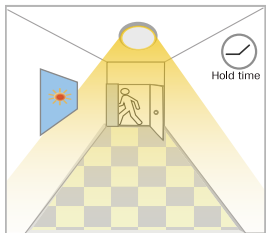
The daylight threshold is set to "Disable".

Light on when detect movement, After people leave, Light off after hold on time.

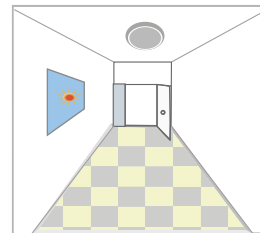
Applications: Dim places such as Basement Parking, Underpass.



When motion is detected, the sensor will switch on the light to 100% brightness.



After people leave the detection area, light remains 100% brightness within hold time.



After the last detection and the present hold time elapsed, light OFF.

## Attention



1. Please read the instructions carefully before using this product and keep it well for all users to read at any time.
2. The sensor should be installed by qualified electrician and ensure power is off before the installation.
3. We reserve the right to modify any incorrect text, image and necessary technical parameters.
4. Any unauthorized modification is forbidden, otherwise all guarantees will be immediately invalid.

### Installation precautions

1. Microwave sensor can be installed in any lamp except the one with full metal shell.
2. The detected surface cannot be shielded by metal objects.
3. Make sure the microwave module is completely exposed outside.
4. The detection surface of the sensor module shall be installed facing the detection area.
5. Should be kept away from the driver to avoid interference generation and lamp flashing.
6. Wiring must be strictly in accordance with the wiring diagram to avoid short circuit.

### Application Environment

1. Suitable for indoor installation to avoid false triggering due to external factors such as rain, wind or tree swing.
2. Shall not be installed in the place with all four metal shelters and small space (such as galvanized-iron roof).
3. Shall note be mounted installation, so as to avoid false trigger caused by the lamp itself shaking.
4. Shall not be installed next to large operating machines such as ventilator/ceiling fan to avoid false triggering caused by machine vibration.

### User Notes

1. Microwave can penetrate walls or glass thinner than 20cm and attenuate if thicker than 20cm.
2. The driver voltage shall be stable and float within 10%.
3. Detection area will be affected by speed of motion, mounting height and movement volume.
4. Conduct test on sunny days without the lampshade which will affect the tested lux value

# HD05R Remote Control Applications

## HD05R Instruction

### Memory & Apply Mode

1. Press "ON/OFF button" to turn on the light or off.
2. To reset the parameters, Please follow the steps as below:  
 Step 1 – Press ON, to turn on the light if it was off at the start.  
 Step 2 – Press "Start" to the well-setting sensor.  
 Step 3 – Press the button of Detection range, Hold time, Stand-by dimming level, Stand-by period and Daylight threshold one after the other in sequence (Press "+/-" to set parameters).  
 Step 5 – Press "Memory" to memorize the settings.  
**Note: The interval of each parameter setting shall be controlled within 30s.**

3. To programme other lights in the array that have similar sensors to the same programme.  
 Step 1 – Press "ON" to the second sensor  
 Step 2 – Press "Apply"

### Isolated Setting Mode

1. Press "ON/OFF button" to turn on the light or off. Press "Scene", the remote will activate settings that were saved last or remain at the factory default settings.
2. To reset the parameters, Please follow the steps as below:  
 Step 1 – Press ON, to turn on the light if it was off at the start.  
 Step 2 – Press any button of "Scene", "Test" and "Apply" to begin the sensor detection mode.  
 Step 3 – Press the button of Detection range, Hold time, Stand-by dimming level, Stand-by period and Daylight threshold one after the other in sequence.

#### Notes:

1. Settings will be saved automatically and remain until you press reset again.
2. Light will flicker when setting each parameter.
3. The icon will flash when setting the corresponding parameter.

#### ON/OFF

1. "ON/OFF" key only functions as a switch of the light.
2. If press this button to turn off the lamp before it's short-circuited, the lamp will remain off after power-on again.

#### WM/PIR

Change from the microwave sensor function to PIR sensor function, and the other around.

#### Scene

Press "Reset" button, products with DIP switch will be controlled by DIP switches; otherwise all the setting will be just initial, that is 100% detection range, hold time 5S, no stand-by time and daylight threshold disabled.


**Start** Press the button before choosing the parameters.

**Memory** Press the button after choosing all the parameters to save them.

**Apply** Press the button to deliver the saved settings to the other sensors directly.

 **Hold time**

The period of light keeping 100% brightness after moving objects leave the detection area.

 **Stand-by period**



The period of light keeping low output before it gets completely off. When it's preset as --, the light always keep at low output even no movement in the detection area.

#### Power %

Press the button to change the output power from 0% to 100%, it changes 5% every press.


#### Test (2s)

The button "Test (2s)" is for testing purpose after commissioning. Pressing this button, the sensor goes to test mode (hold time is only 2s).

  Increase or decrease the parameters.

 **Daylight Threshold**

Definition of the ambient brightness; only when the ambient brightness is lower than the preset specific lux amount, the sensor will work; when it's preset as "disable", the sensor works everytime it detects motion regardless of the ambient lux level.

 **Stand-by dimming level**

The definition of low output during the standby period.

 **Detection Rarea**

The area in which movement will trigger the sensor, 100% detection area also means strong sensitivity.